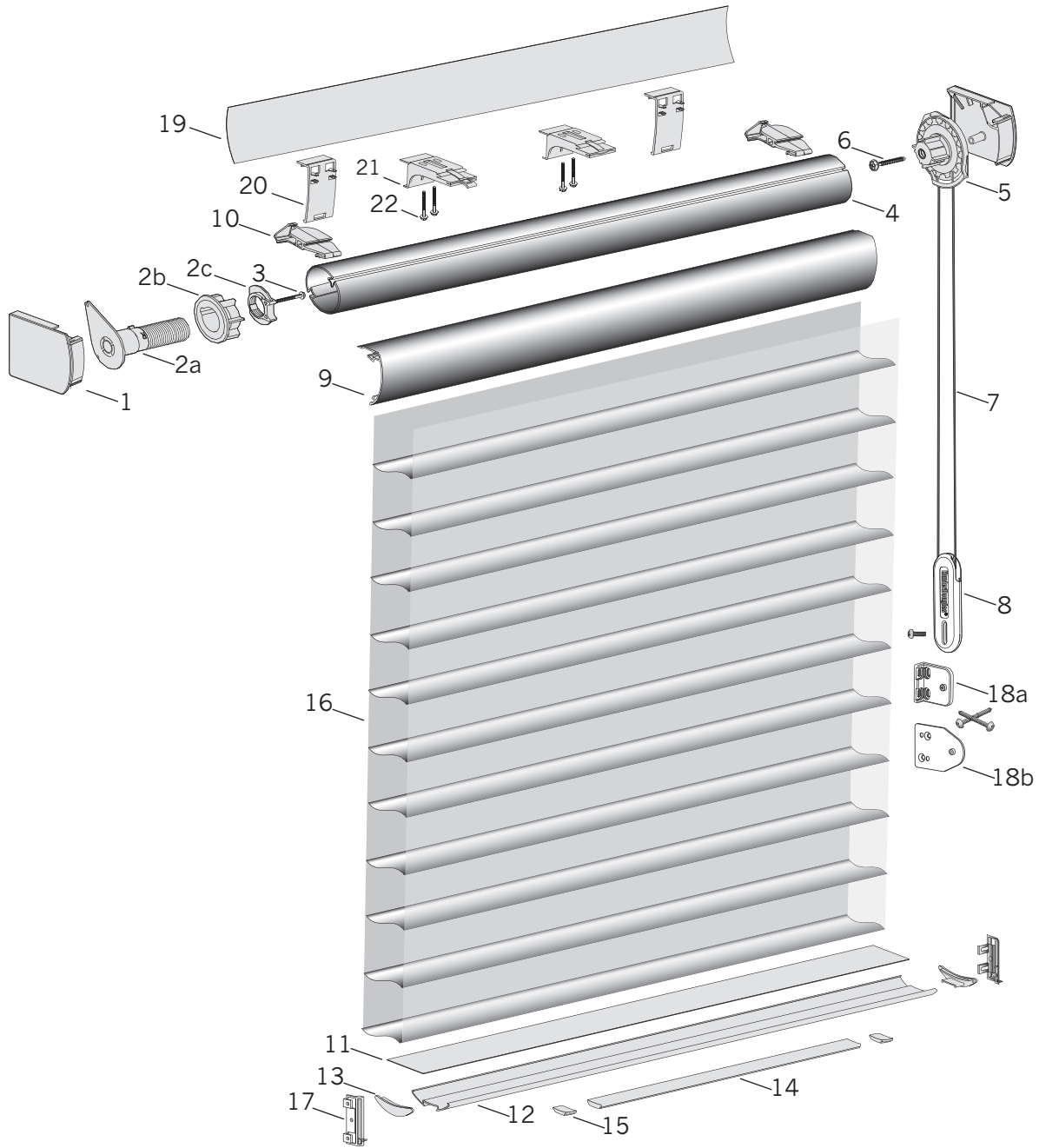


Silhouette® EasyRise™ Standard And Oversized



Standard Parts

- | | | |
|---------------------------|-----------------------------|--|
| 1. Headrail End Caps | 8. Universal Cord Tensioner | 18a. Universal Cord Tensioner Outside Mounting Bracket |
| 2. Limit Screw Assembly | 9. Fabric Covered Headrail | 18b. Universal Cord Tensioner Mounting Bracket Flush Mount |
| 2a. Limit Screw | 10. SU Std. Top Limit | 19. Back/Dust Cover |
| 2b. Rotator | 11. Bottom Slat | 20. Back Cover Bracket |
| 2c. Limit Nut | 12. Bottom Rail | 21. Quick Release Installation Brackets |
| 3. Screw | 13. Bottom Rail End Caps | 22. Installation Bracket Screws. |
| 4. Universal Rotator Rail | 14. Balance Weight | |
| 5. Clutch Assembly | 15. Weight Clips | |
| 6. Screw | 16. Fabric | |
| 7. Cord Loop | 17. Hold-Down Bracket | |

Silhouette® EasyRise™ Standard And Oversized

No.	PCN	Description
1.	Headrail End Caps 4178201xxx 4158226xxx	Oversized Standard
2.	Limit Screw Assembly 4153244000 4153245000	RH URR LLH URR
2a.	N/A	Limit Screw
2b.	N/A	Rotator
2c.	N/A	Limit Nut
3.	4150158000	Screw, #10 x 5/8" SHWH Zinc-Plated
4.	4150216xxx	Universal Rotator Rail (785 – For all fabrics except A20 & A27)
5.	4153079000	Clutch Assembly
6.	4150159000	Screw (Clutch)
7.	Cord Loop 4190010000 4190020xxx 4190030xxx 4190040xxx 4190050xxx 4190060000	1' (Natural Only) 2' 3' 4' 5' 6' (Natural Only)
8.	4150042xxx	Universal Cord Tensioner
9.	Fabric Covered Headrail 4170280661 4158209661	Oversized (Select Fabric Cover Color) Standard (Select Fabric Cover Color)
10.	4150057885	SU Std. Top Limit (Matches Picture, Starts May 08)
11.	Bottom Slat 4150144xxx 4150155xxx 4150144A32xxx	All Fabrics (Except A3, A6, & A32) For A3 & A6 Only For A32
12.	4150128xxx	Bottom Rail
13.	4150084xxx	Bottom Rail End Caps
14.	4150082xxx	Balance Weight
15.	4150083xxx	Weight Clips
16.	N/A	Fabrics A1, A2, A3, A4, A6, A7, A16, A17, A18, A19, A20, A27 & A32
17.	4153089005	Hold-Down Bracket
18a.	4153067005	Cord Tensioner Mounting Kit (Outside)
18b.	4152066005	Cord Tensioner Mounting Kit (Flush Mount)
19.	4150149000	Back/Dust Cover (Optional)
20.	4150256000	Back Cover Bracket (Optional)

21.	4150241000	Quick Release Installation Brackets
22.	4150121000	Quick Release Installation Bracket Screws

Parts Not Shown:

4150154785	Polystrip With Tape (Not Shown)
------------	---------------------------------

Additional Hardware:

4150241000	Quick Release Installation Bracket
2980153000	Quick Release Installation Bracket Screws
4150104000	2-Pack Quick Release Installation Brackets with Screws
4150105000	3-Pack Quick Release Installation Brackets with Screws

Optional Hardware:

2930230000	Spacer Block
2930340000	Extension Bracket
	Dust Cover Fasteners
4150077000	1/2" circle loop fasteners
4150078000	1/2" circle hook fasteners

Note: xxx = 3-digit color code