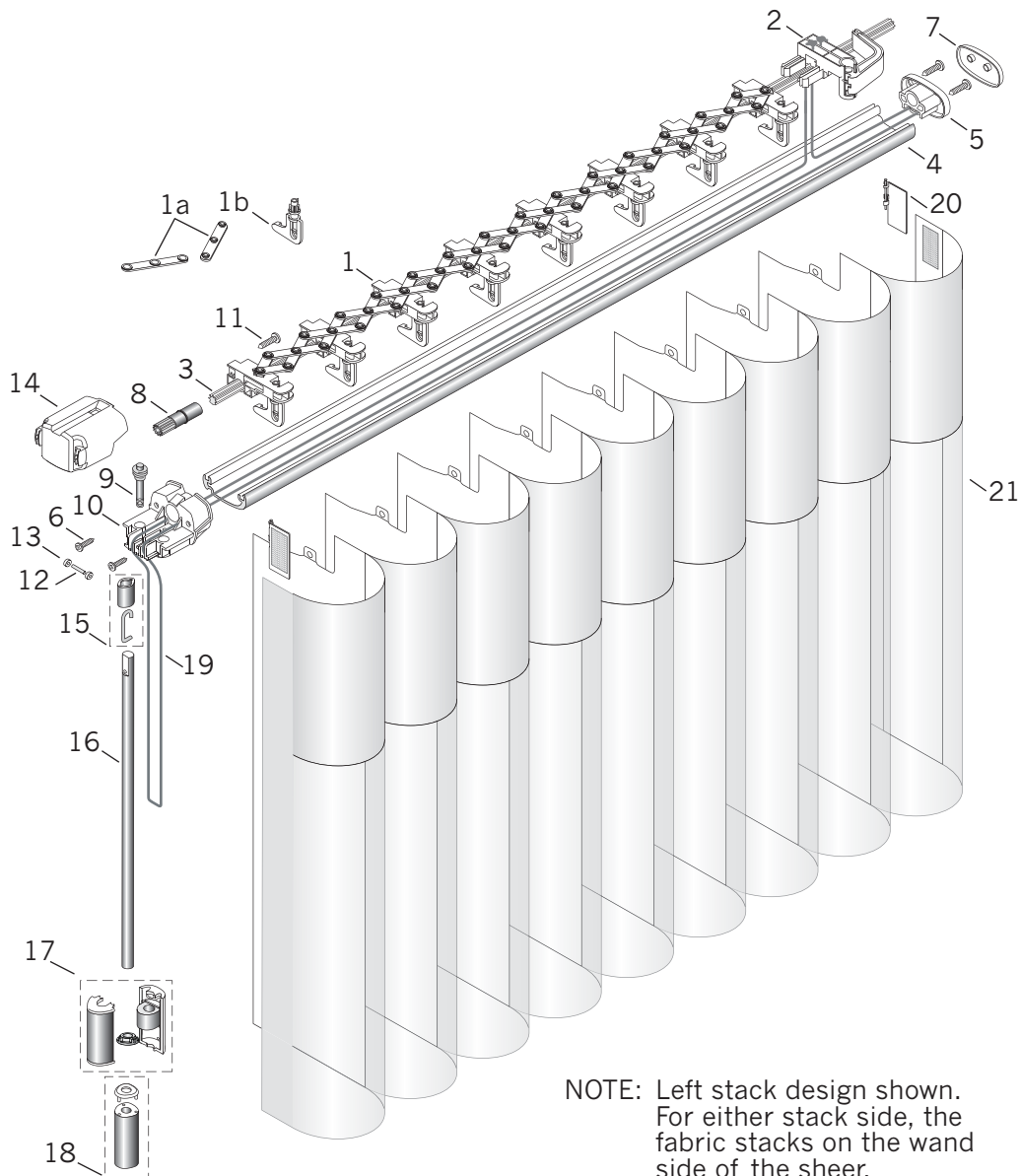


Classic Sheers Side Stack



NOTE: Left stack design shown.
For either stack side, the fabric stacks on the wand side of the sheer.

Standard Parts

- | | | |
|----------------------------------|------------------------------|---|
| 1. Fabric Carrier Group Assembly | 7. Passive End Cap Cover | 15. Wand Hook with Hook Cover |
| 1a. Scissors | 8. Tilt Drive Gear | 16. Wand |
| 1b. Tilt Reduction Pinion Clip | 9. Tilt Drive Worm Gear | 17. Weighted Tether Control |
| 2. Lead Carrier Assembly | 10. Universal Bulkhead Body | 18. Wand Handle & Cover |
| 3. Tilt Rod Extrusion | 11. Square Head Hi-Lo Screw | 19. Cord |
| 4. Headrail | 12. Active SS Dowel Pin | 20. End Treatment Swivel Plate Assembly |
| 5. Passive End Cap Assembly | 13. Cord Pulley | 21. Fabric |
| 6. Square Pan Head Screw | 14. Universal Bulkhead Cover | |

Classic Sheers Side Stack

No.	PCN	Description
1.	4250355000	Fabric Carrier Group Assembly with Tilt Reduction Pinion Clip
1a.	4250076000	Scissors (Male and Female)
1b.	4250142000	Tilt Reduction Pinion Clip
2.		Lead Carrier Assembly
	4250129126	RH
	4250127126	LH
3.		Tilt Rod Extrusion – 16'
	4250470000	Aluminum
	4250360000	Brass
4.	4250010xxx	Headrail – 16'
5.	4250108xxx	Passive End Cap Assembly
6.	4250212000	#6 x 1/2" Square Pan Head Tapping (End Cap) Screw
7.	4250109xxx	Passive End Cap Cover
8.	4250058000	Tilt Drive Gear
9.	4250051000	Tilt Drive Worm Gear
10.	4250011xxx	Universal Bulkhead Body
11.	4250146000	Square Head Hi-Lo 6–19 x 3/4" (Stationary Carrier) Screw
12.	4250048000	Active SS Dowel Pin 3/32" x 1/2"
13.	4250047000	Cord Pulley
14.	4250012xxx	Universal Bulkhead Cover
15.	4250062xxx	Wand Hook with Hook Cover
16.		Wand
	4250090xxx	21" Standard
	4250091xxx	28" Standard
	4250092xxx	38" Standard
	4250093xxx	48" Standard
	4250095xxx	68" Standard
	4250094xxx	58" Non-Standard
	4250096xxx	78" Non-Standard
	4250097xxx	88" Non-Standard
	4250098xxx	96" Non-Standard
	4250110xxx	120" Non-Standard
	4250111xxx	144" Non-Standard
17.	4250150xxx	Weighted Tether Control Assembly
18.	4250107xxx	Wand Handle & Cover
19.	4250050xxx	D26 Cord
20.		End Treatment Swivel Plate Assembly
	4250120000	RH
	4250121000	LH
21.	N/A	Luminette® Fabric

xxx = 3 – digit color code